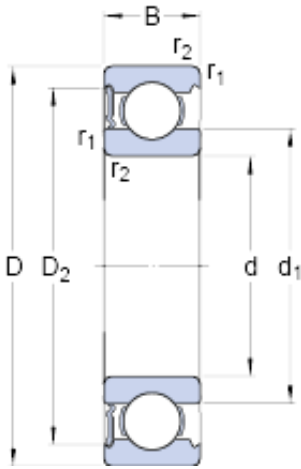




BEARING INDUSTRIA CUSCINETTI S.P.A.



160 mm x 240 mm x 38 mm skf 6032-RS1 Deep groove ball bearings

Bearing No. 6032-RS1

6032-RS1 Bearing 2D drawings and 3D CAD models

Size	240x160x38 mm
Bore Diameter	240 mm
Outer Diameter	160 mm
Width	38 mm
d	160 mm
D	240 mm
B	38 mm
d ₁	185.7 mm
D ₂	218.9 mm
d _a - min.	169 mm
d _a - max.	185 mm
D _a - max.	231 mm
r _a - max.	2 mm
Basic dynamic load rating - C	143 kN
Basic static load rating - C ₀	143 kN
Fatigue load limit - P _u	4.3 kN
Limiting speed	1600 r/min
Calculation factor - k _r	0.025
Calculation factor - f ₀	16
d ₁	185.7 mm
D ₂	218.9 mm
r _{1,2} min.	2.1 mm
d _a min.	169 mm
d _a max.	185 mm



BEARING INDUSTRIA CUSCINETTI S.P.A.

D_a max.	231 mm
r_a max.	2 mm
Basic dynamic load rating C	143 kN
Basic static load rating C_0	143 kN
Fatigue load limit P_u	4.3 kN
Calculation factor k_r	0.025
Calculation factor f_0	15.9
Mass bearing	5.23 kg