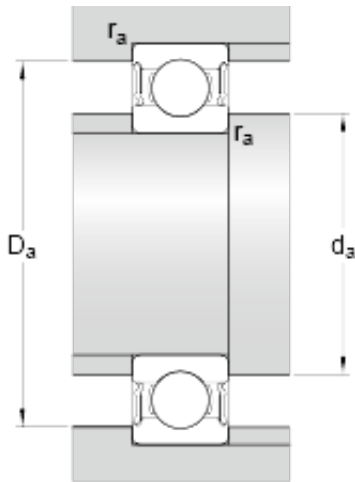




BEARING INDUSTRIA CUSCINETTI S.P.A.



4 mm x 10 mm x 4 mm skf W 638/4 X-2RS1
Deep groove ball bearings

Bearing No. W 638/4 X-2RS1

d	4 mm
D	10 mm
B	4 mm
d ₁	5.9 mm
D ₂	8.8 mm
r _{1,2} min.	0.2 mm
d _a min.	5.6 mm
d _a max.	5.8 mm
D _a max.	8.8 mm
r _a max.	0.2 mm
Basic dynamic load rating C	0.553 kN
Basic static load rating C ₀	0.245 kN
Fatigue load limit P _u	0.011 kN
Limiting speed	36000 r/min
Calculation factor k _r	0.02
Calculation factor f ₀	12.3
Mass bearing	0.0013 kg

W 638/4 X-2RS1 Bearing 2D drawings and 3D CAD models