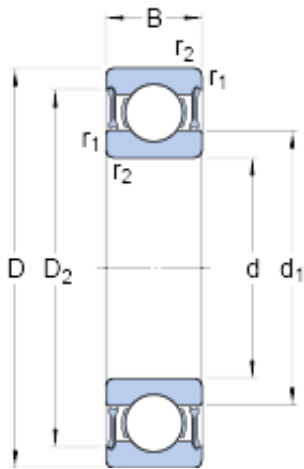




# BEARING INDUSTRIA CUSCINETTI S.P.A.



17 mm x 30 mm x 7 mm skf W 61903-2RZ Deep groove ball bearings

Bearing No. W 61903-2RZ

W 61903-2RZ Bearing 2D drawings and 3D CAD models

|   |             |
|---|-------------|
| Size                                      | 30x17x7 mm  |
| Bore Diameter                             | 30 mm       |
| Outer Diameter                            | 17 mm       |
| Width                                     | 7 mm        |
| d   | 17 mm       |
| D   | 30 mm       |
| B   | 7 mm        |
| d <sub>1</sub>                            | 21 mm       |
| D <sub>2</sub>                            | 27.8 mm     |
| r <sub>1,2</sub> - min.                   | 0.3 mm      |
| D <sub>a</sub> - max.                     | 28 mm       |
| r <sub>a</sub> - max.                     | 0.3 mm      |
| Basic dynamic load rating - C             | 4 kN        |
| Basic static load rating - C <sub>0</sub> | 2.6 kN      |
| Fatigue load limit - P <sub>u</sub>       | 0.108 kN    |
| Reference speed                           | 50000 r/min |
| Limiting speed                            | 24000 r/min |
| Calculation factor - k <sub>r</sub>       | 0.025       |
| Calculation factor - f <sub>0</sub>       | 14.8        |
| d <sub>1</sub>                            | 21 mm       |
| D <sub>2</sub>                            | 27.8 mm     |
| r <sub>1,2</sub> min.                     | 0.3 mm      |
| d <sub>a</sub> min.                       | 19 mm       |
| d <sub>a</sub> max.                       | 20.5 mm     |



## BEARING INDUSTRIA CUSCINETTI S.P.A.

|                                |          |
|--------------------------------|----------|
| $D_a$ max.                     | 28 mm    |
| $r_a$ max.                     | 0.3 mm   |
| Basic dynamic load rating C    | 3.97 kN  |
| Basic static load rating $C_0$ | 2.55 kN  |
| Fatigue load limit $P_u$       | 0.108 kN |
| Calculation factor $k_r$       | 0.025    |
| Calculation factor $f_0$       | 14.8     |
| Mass bearing                   | 0.017 kg |