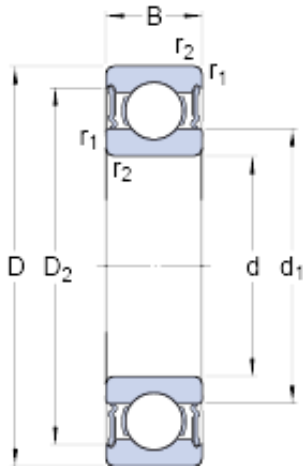




BEARING INDUSTRIA CUSCINETTI S.P.A.



12 mm x 32 mm x 10 mm skf W 6201-2RS1
Deep groove ball bearings

Bearing No. W 6201-2RS1

W 6201-2RS1 Bearing 2D drawings and 3D CAD models

Size	32x12x10 mm
Bore Diameter	32 mm
Outer Diameter	12 mm
Width	10 mm
d	12 mm
D	32 mm
B	10 mm
d ₁	18.5 mm
D ₂	27.95 mm
r _{1,2} - min.	0.6 mm
d _a - min.	16 mm
d _a - max.	18 mm
D _a - max.	28.5 mm
r _a - max.	0.6 mm
Basic dynamic load rating - C	5.7 kN
Basic static load rating - C ₀	3 kN
Fatigue load limit - P _u	0.127 kN
Limiting speed	15000 r/min
Calculation factor - k _r	0.03
Calculation factor - f ₀	12
Category	Single Row Ball Bearings
Inventory	0.0
Manufacturer Name	SKF
Minimum Buy Quantity	N/A



BEARING INDUSTRIA CUSCINETTI S.P.A.

Weight / Kilogram	0.034
EAN	7316570817461
Product Group	B00308
Enclosure	2 Seals
Precision Class	ABEC 1 ISO P0
Maximum Capacity / Filling Slot	No
Rolling Element	Ball Bearing
Snap Ring	No
Internal Special Features	No
Cage Material	Stainless Steel
Enclosure Type	Contact Seal
Internal Clearance	C0-Medium
Inch - Metric	Metric
Long Description	12MM Bore; 32MM Outside Diameter; 10MM Outer Race Width; 2 Seals; Ball Bearing; ABEC 1 ISO P0; No Filling Slot; No Snap Ring; No Internal Special Features; C0-Medium Internal Clearance; Stainless St
Other Features	Deep Groove NBR Seal
Category	Single Row Ball Bearing
UNSPSC	31171504
Harmonized Tariff Code	8482.10.50.68
Noun	Bearing
Keyword String	Ball
Manufacturer URL	http://www.skf.com
Manufacturer Item Number	W 6201-2RS1
Weight / LBS	0.087
Outside Diameter	1.26 Inch 32 Millimeter
Bore	0.472 Inch 12 Millimeter
Outer Race Width	0.394 Inch 10 Millimeter



BEARING INDUSTRIA CUSCINETTI S.P.A.

Inner Race Width	0 Inch 0 Millimeter
d_1	18.5 mm
D_2	27.95 mm
$r_{1,2}$ min.	0.6 mm
d_a min.	16 mm
d_a max.	18 mm
D_a max.	28.5 mm
r_a max.	0.6 mm
Basic dynamic load rating C	5.72 kN
Basic static load rating C_0	3 kN
Fatigue load limit P_u	0.127 kN
Calculation factor k_r	0.03
Calculation factor f_0	12
Mass bearing	0.036 kg