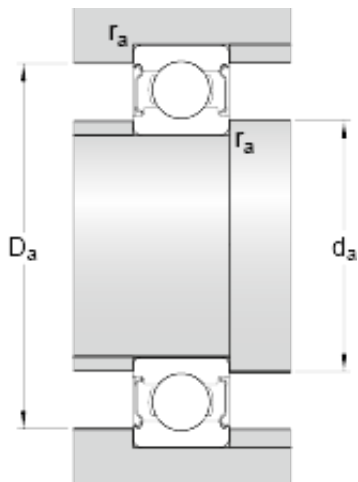




## BEARING INDUSTRIA CUSCINETTI S.P.A.



6 mm x 22 mm x 7 mm skf W 636-2Z Deep groove ball bearings

Bearing No. W 636-2Z

d	6 mm
D	22 mm
B	7 mm
d <sub>2</sub>	10.5 mm
D <sub>2</sub>	19.03 mm
r <sub>1,2</sub> min.	0.3 mm
d <sub>a</sub> min.	8 mm
d <sub>a</sub> max.	10.4 mm
D <sub>a</sub> max.	20 mm
r <sub>a</sub> max.	0.3 mm
Basic dynamic load rating C	1.99 kN
Basic static load rating C <sub>0</sub>	0.78 kN
Fatigue load limit P <sub>u</sub>	0.034 kN
Reference speed	75000 r/min
Limiting speed	38000 r/min
Calculation factor k <sub>r</sub>	0.035
Calculation factor f <sub>0</sub>	7.2
Mass bearing	0.013 kg

W 636-2Z Bearing 2D drawings and 3D CAD models