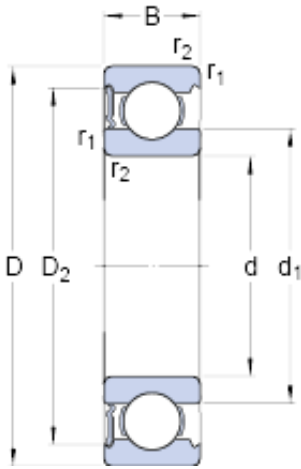




BEARING INDUSTRIA CUSCINETTI S.P.A.



25 mm x 62 mm x 17 mm skf 6305-RS1 Deep groove ball bearings

Bearing No. 6305-RS1

6305-RS1 Bearing 2D drawings and 3D CAD models

Size	62x25x17 mm
Bore Diameter	62 mm
Outer Diameter	25 mm
Width	17 mm
d	25 mm
D	62 mm
B	17 mm
d ₁	36.6 mm
D ₂	52.7 mm
r _{1,2} - min.	1.1 mm
d _a - min.	32 mm
d _a - max.	36.5 mm
D _a - max.	55 mm
r _a - max.	1 mm
Basic dynamic load rating - C	23.4 kN
Basic static load rating - C ₀	11.6 kN
Fatigue load limit - P _u	0.49 kN
Limiting speed	7500 r/min
Calculation factor - k _r	0.03
Calculation factor - f ₀	12
Category	Single Row Ball Bearings
Inventory	0.0
Manufacturer Name	SKF
Minimum Buy Quantity	N/A



BEARING INDUSTRIA CUSCINETTI S.P.A.

Weight / Kilogram	0.229
EAN	7316571070117
Product Group	B00308
Enclosure	1 Seal
Precision Class	ABEC 1 ISO P0
Maximum Capacity / Filling Slot	No
Rolling Element	Ball Bearing
Snap Ring	No
Internal Special Features	No
Cage Material	Steel
Enclosure Type	Contact Seal
Internal Clearance	C0-Medium
Inch - Metric	Metric
Long Description	25MM Bore; 62MM Outside Diameter; 17MM Outer Race Diameter; 1 Seal; Ball Bearing; ABEC 1 ISO P0; No Filling Slot; No Snap Ring; No Internal Special Features
Category	Single Row Ball Bearing
UNSPSC	31171504
Harmonized Tariff Code	8482.10.50.68
Noun	Bearing
Keyword String	Ball
Manufacturer URL	http://www.skf.com
Manufacturer Item Number	6305-RS1
Weight / LBS	0.5
Bore	0.984 Inch 25 Millimeter
Outside Diameter	2.441 Inch 62 Millimeter
Outer Race Width	0.669 Inch 17 Millimeter
d ₁	36.6 mm
D ₂	52.7 mm



BEARING INDUSTRIA CUSCINETTI S.P.A.

d_a min.	32 mm
d_a max.	36.5 mm
D_a max.	55 mm
r_a max.	1 mm
Basic dynamic load rating C	23.4 kN
Basic static load rating C_0	11.6 kN
Fatigue load limit P_u	0.49 kN
Calculation factor k_r	0.03
Calculation factor f_0	12
Mass bearing	0.23 kg