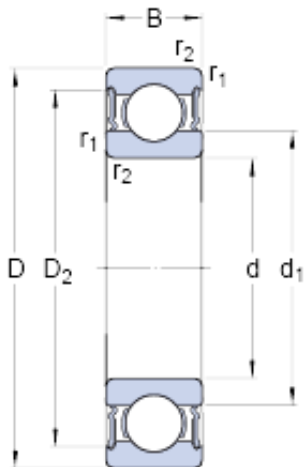




BEARING INDUSTRIA CUSCINETTI S.P.A.



95 mm x 130 mm x 18 mm skf 61919-2RS1
Deep groove ball bearings

Bearing No. 61919-2RS1

61919-2RS1 Bearing 2D drawings and 3D CAD models

Size	130x95x18 mm
Bore Diameter	130 mm
Outer Diameter	95 mm
Width	18 mm
d	95 mm
D	130 mm
B	18 mm
d ₁	106.4 mm
D ₂	121.7 mm
r _{1,2} - min.	1.1 mm
d _a - min.	101 mm
d _a - max.	105.9 mm
D _a - max.	124 mm
r _a - max.	1 mm
Basic dynamic load rating - C	33.8 kN
Basic static load rating - C ₀	33.5 kN
Fatigue load limit - P _u	1.3 kN
Limiting speed	3000 r/min
Calculation factor - k _r	0.02
Calculation factor - f ₀	16.5
d ₁	106.4 mm
D ₂	121.7 mm
r _{1,2} min.	1.1 mm
d _a min.	101 mm



BEARING INDUSTRIA CUSCINETTI S.P.A.

d_a max.	105.9 mm
D_a max.	124 mm
r_a max.	1 mm
Basic dynamic load rating C	33.8 kN
Basic static load rating C_0	33.5 kN
Fatigue load limit P_u	1.34 kN
Calculation factor k_r	0.02
Calculation factor f_0	16.5
Mass bearing	0.65 kg