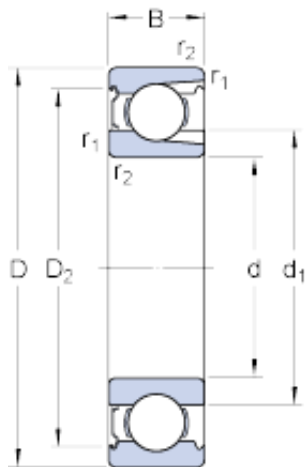




BEARING INDUSTRIA CUSCINETTI S.P.A.



30 mm x 62 mm x 16 mm skf 206-Z Deep groove ball bearings

Bearing No. 206-Z

206-Z Bearing 2D drawings and 3D CAD models

Size	62x30x16 mm
Bore Diameter	62 mm
Outer Diameter	30 mm
Width	16 mm
d	30 mm
D	62 mm
B	16 mm
d ₁	40.36 mm
D ₂	54.06 mm
r _{1,2} - min.	1 mm
d _a - min.	35.6 mm
d _a - max.	40.2 mm
D _a - max.	56.4 mm
r _a - max.	1 mm
Basic dynamic load rating - C	20.9 kN
Basic static load rating - C ₀	16.3 kN
Fatigue load limit - P _u	0.695 kN
Reference speed	20000 r/min
Limiting speed	12000 r/min
Calculation factor - k _r	0.04
Category	Single Row Ball Bearings
Inventory	0.0
Manufacturer Name	SKF
Minimum Buy Quantity	N/A



BEARING INDUSTRIA CUSCINETTI S.P.A.

Weight / Kilogram	0.219
EAN	7316577055576
Product Group	B00308
Enclosure	1 Metal Shield
Precision Class	ABEC 1 ISO P0
Maximum Capacity / Filling Slot	Yes
Rolling Element	Ball Bearing
Snap Ring	No
Internal Special Features	No
Cage Material	Steel
Internal Clearance	C0-Medium
Inch - Metric	Metric
Long Description	30MM Bore; 62MM Outside Diameter; 16MM Outer Race Diameter; 1 Metal Shield; Ball Bearing; ABEC 1 ISO P0; Yes Filling Slot; No Snap Ring; No Internal Special Features
Category	Single Row Ball Bearing
UNSPSC	31171504
Harmonized Tariff Code	8482.10.50.68
Noun	Bearing
Keyword String	Ball
Manufacturer URL	http://www.skf.com
Manufacturer Item Number	206 Z
Weight / LBS	0.48
Bore	1.181 Inch 30 Millimeter
Outside Diameter	2.441 Inch 62 Millimeter
Outer Race Width	0.63 Inch 16 Millimeter
bore diameter:	30 mm
static load capacity:	16.3 kN
outside diameter:	62 mm



BEARING INDUSTRIA CUSCINETTI S.P.A.

precision rating:	ABEC 3 (ISO Class 6)
overall width:	16 mm
finish/coating:	Uncoated
bore type:	Round
cage material:	Steel
closure type:	Single Shield
outer ring width:	16 mm
row type & fill slot:	Single Row Filling Slot
fillet radius:	1 mm
snap ring included:	Without Snap Ring
maximum rpm:	12000 RPM
internal clearance:	C0
series:	20
dynamic load capacity:	20.9 kN
thrust application warning:	This product can not be used in Thrust Applications
d_1	40.36 mm
D_2	54.06 mm
$r_{1,2}$ min.	1 mm
d_a min.	35.6 mm
d_a max.	40.2 mm
D_a max.	56.4 mm
r_a max.	1 mm
Basic dynamic load rating C	20.9 kN
Basic static load rating C_0	16.3 kN
Fatigue load limit P_u	0.695 kN
Calculation factor k_r	0.04
Mass bearing	0.21 kg