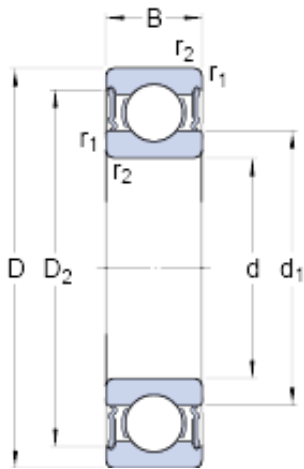




# BEARING INDUSTRIA CUSCINETTI S.P.A.



60 mm x 85 mm x 13 mm skf 61912-2RS1 Deep groove ball bearings

Bearing No. 61912-2RS1

61912-2RS1 Bearing 2D drawings and 3D CAD models

Size	85x60x13 mm
Bore Diameter	85 mm
Outer Diameter	60 mm
Width	13 mm
d	60 mm
D	85 mm
B	13 mm
d <sub>1</sub>	68.3 mm
D <sub>2</sub>	78.7 mm
r <sub>1,2</sub> - min.	1 mm
d <sub>a</sub> - min.	64.6 mm
d <sub>a</sub> - max.	68.2 mm
D <sub>a</sub> - max.	80.4 mm
r <sub>a</sub> - max.	1 mm
Basic dynamic load rating - C	16.5 kN
Basic static load rating - C <sub>0</sub>	12 kN
Fatigue load limit - P <sub>u</sub>	0.6 kN
Reference speed	16000 r/min
Limiting speed	4500 r/min
Calculation factor - k <sub>r</sub>	0.02
Calculation factor - f <sub>0</sub>	13.9
Category	Single Row Ball Bearings
Inventory	0.0
Manufacturer Name	SKF



## BEARING INDUSTRIA CUSCINETTI S.P.A.

Minimum Buy Quantity	N/A
Weight / Kilogram	0.212
EAN	7316577660343
Product Group	B00308
Enclosure	2 Seals
Precision Class	ABEC 1   ISO P0
Maximum Capacity / Filling Slot	No
Rolling Element	Ball Bearing
Snap Ring	No
Internal Special Features	No
Cage Material	Steel
Enclosure Type	Contact Seal
Internal Clearance	C0-Medium
Inch - Metric	Metric
Long Description	60MM Bore; 85MM Outside Diameter; 13MM Outer Race Diameter; 2 Seals; Ball Bearing; ABEC 1   ISO P0; No Filling Slot; No Snap Ring; No Internal Special Features
Category	Single Row Ball Bearing
UNSPSC	31171504
Harmonized Tariff Code	8482.10.50.68
Noun	Bearing
Keyword String	Ball
Manufacturer URL	<a href="http://www.skf.com">http://www.skf.com</a>
Manufacturer Item Number	61912-2RS1
Weight / LBS	0.47
Bore	2.362 Inch   60 Millimeter
Outer Race Width	0.512 Inch   13 Millimeter
Outside Diameter	3.346 Inch   85 Millimeter
bore diameter:	60 mm



## BEARING INDUSTRIA CUSCINETTI S.P.A.

static load capacity:	14.3 kN
outside diameter:	85 mm
precision rating:	Not Rated
overall width:	13 mm
finish/coating:	Uncoated
bore type:	Round
cage material:	Steel
closure type:	Double Sealed
outer ring width:	13 mm
row type & fill slot:	Single Row Non-Fill Slot
fillet radius:	1 mm
internal clearance:	C0
maximum rpm:	4500 RPM
operating temperature range:	-40 to +210 ° F
series:	61
dynamic load capacity:	16.5 kN
$d_1$	68.3 mm
$D_2$	78.7 mm
$r_{1,2}$ min.	1 mm
$d_a$ min.	64.6 mm
$d_a$ max.	68.2 mm
$D_a$ max.	80.4 mm
$r_a$ max.	1 mm
Basic dynamic load rating C	16.5 kN
Basic static load rating $C_0$	12 kN
Fatigue load limit $P_u$	0.6 kN
Calculation factor $k_r$	0.02
Calculation factor $f_0$	13.9
Mass bearing	0.2 kg