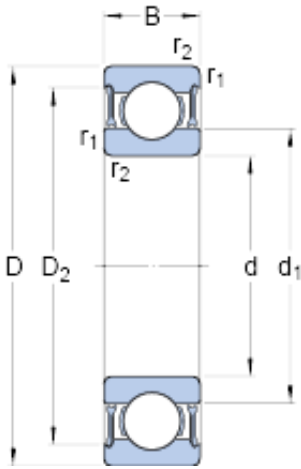




BEARING INDUSTRIA CUSCINETTI S.P.A.



25 mm x 42 mm x 9 mm skf W 61905-2RZ Deep groove ball bearings

Bearing No. W 61905-2RZ

W 61905-2RZ Bearing 2D drawings and 3D CAD models

Size	42x25x9 mm
Bore Diameter	42 mm
Outer Diameter	25 mm
Width	9 mm
d	25 mm
D	42 mm
B	9 mm
d ₁	30.9 mm
D ₂	39.45 mm
r _{1,2} - min.	0.3 mm
D _a - max.	40 mm
r _a - max.	0.3 mm
Basic dynamic load rating - C	6 kN
Basic static load rating - C ₀	4.5 kN
Fatigue load limit - P _u	0.193 kN
Reference speed	34000 r/min
Limiting speed	17000 r/min
Calculation factor - k _r	0.025
Calculation factor - f ₀	15.4
d ₁	30.9 mm
D ₂	39.45 mm
r _{1,2} min.	0.3 mm
d _a min.	27 mm
d _a max.	30.5 mm



BEARING INDUSTRIA CUSCINETTI S.P.A.

D_a max.	40 mm
r_a max.	0.3 mm
Basic dynamic load rating C	6.05 kN
Basic static load rating C_0	4.5 kN
Fatigue load limit P_u	0.193 kN
Calculation factor k_r	0.025
Calculation factor f_0	15.4
Mass bearing	0.04 kg