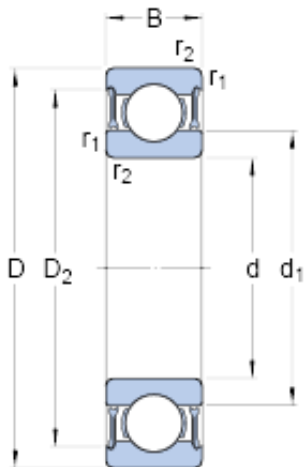




BEARING INDUSTRIA CUSCINETTI S.P.A.



15 mm x 35 mm x 11 mm skf W 6202-2RZ Deep groove ball bearings

Bearing No. W 6202-2RZ

W 6202-2RZ Bearing 2D drawings and 3D CAD models

Size	35x15x11 mm
Bore Diameter	35 mm
Outer Diameter	15 mm
Width	11 mm
d	15 mm
D	35 mm
B	11 mm
d ₁	21.7 mm
D ₂	31.4 mm
r _{1,2} - min.	0.6 mm
D _a - max.	31.5 mm
r _a - max.	0.6 mm
Basic dynamic load rating - C	6.4 kN
Basic static load rating - C ₀	3.6 kN
Fatigue load limit - P _u	0.156 kN
Reference speed	48000 r/min
Limiting speed	24000 r/min
Calculation factor - k _r	0.03
Calculation factor - f ₀	12.9
d ₁	21.7 mm
D ₂	31.4 mm
r _{1,2} min.	0.6 mm
d _a min.	19 mm
d _a max.	21.5 mm



BEARING INDUSTRIA CUSCINETTI S.P.A.

D_a max.	31.5 mm
r_a max.	0.6 mm
Basic dynamic load rating C	6.37 kN
Basic static load rating C_0	3.6 kN
Fatigue load limit P_u	0.156 kN
Calculation factor k_r	0.03
Calculation factor f_0	12.9
Mass bearing	0.044 kg