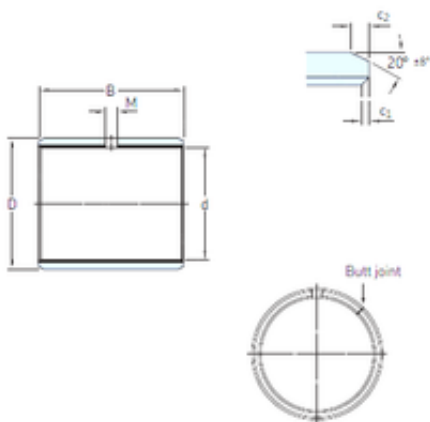




# BEARING INDUSTRIA CUSCINETTI S.P.A.



70 mm x 75 mm x 50 mm skf PCM 707550 E  
Plain bearings, Bushings

Bearing No. PCM 707550 E

Size	70x75x50 mm
Bore Diameter	70 mm
Outer Diameter	75 mm
Width	50 mm
d	70 mm
D	75 mm
B	50 mm
c1 min	0,2 mm
c2 min	1,2 mm
M	– mm
Weight	0,21 Kg
Basic dynamic load rating (C)	275 kN
Category	Plain Bearings
Inventory	0.0
Manufacturer Name	SKF
Minimum Buy Quantity	N/A
Weight / Kilogram	0.241
EAN	7316571902760
Product Group	B04264
bushing type:	Plain
bushing material:	PTFE
inside diameter:	70 mm
overall outside diameter:	75 mm
bushing outside diameter:	75 mm
groove type:	Plain Interior

PCM 707550 E Bearing 2D drawings and 3D CAD models



## BEARING INDUSTRIA CUSCINETTI S.P.A.

overall length:	50 mm
ground type:	Ground
c <sub>1</sub> min.	0.2 mm
c <sub>1</sub> max.	1 mm
c <sub>2</sub> min.	1.2 mm
c <sub>2</sub> max.	2.4 mm
± 8	20 °
Tolerance shaft	f7
Tolerance housing	H7
Basic dynamic load rating - radial direction C	275 kN
Basic static load rating - radial direction C <sub>0</sub>	865 kN
Specific dynamic load factor K	80 N/mm <sup>2</sup>
Specific static load factor K <sub>0</sub>	250 N/mm <sup>2</sup>
Factor depending on material and bearing type K <sub>M</sub>	480
Permissible sliding velocity v min.	0 m/s
Permissible sliding velocity v max.	2 m/s
Coefficient of friction μ min.	0.03
Coefficient of friction μ max.	0.25
Mass bushing	0.21 kg