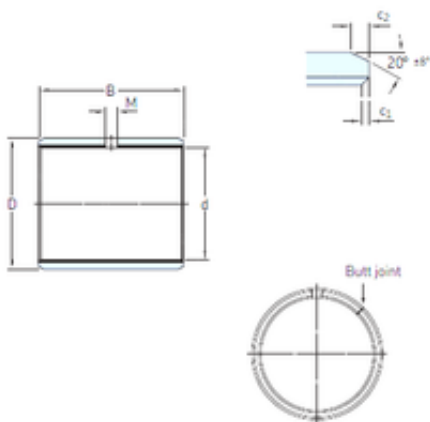




BEARING INDUSTRIA CUSCINETTI S.P.A.



20 mm x 23 mm x 15 mm skf PCM 202315 E Plain bearings, Bushings

Bearing No. PCM 202315 E

Size	20x23x15 mm
Bore Diameter	20 mm
Outer Diameter	23 mm
Width	15 mm
d	20 mm
D	23 mm
B	15 mm
c1 min	0,1 mm
c2 min	0,2 mm
M	– mm
Weight	0,011 Kg
Basic dynamic load rating (C)	22,8 kN
c ₁ min.	0.1 mm
c ₁ max.	0.7 mm
c ₂ min.	0.2 mm
c ₂ max.	1 mm
± 8	20 °
Tolerance shaft	f7
Tolerance housing	H7
Basic dynamic load rating - radial direction C	22.8 kN
Basic static load rating - radial direction C ₀	71 kN
Specific dynamic load factor K	80 N/mm ²
Specific static load factor K ₀	250 N/mm ²

PCM 202315 E Bearing 2D drawings and 3D CAD models



BEARING INDUSTRIA CUSCINETTI S.P.A.

Factor depending on material and bearing type K_M	480
Permissible sliding velocity v min.	0 m/s
Permissible sliding velocity v max.	2 m/s
Coefficient of friction μ min.	0.03
Coefficient of friction μ max.	0.25
Mass bushing	0.011 kg