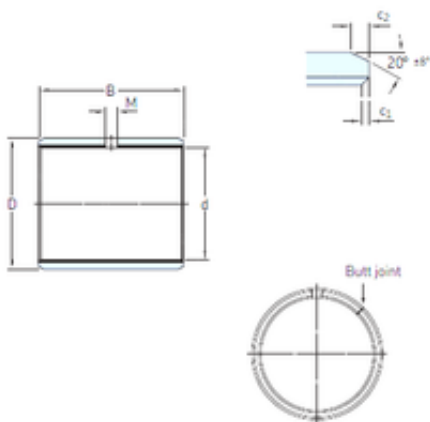




# BEARING INDUSTRIA CUSCINETTI S.P.A.



22 mm x 25 mm x 25 mm skf PCM 222525 M  
Plain bearings, Bushings

Bearing No. PCM 222525 M

Size	22x25x25 mm
Bore Diameter	22 mm
Outer Diameter	25 mm
Width	25 mm
d	22 mm
D	25 mm
B	25 mm
c1 min	0,1 mm
c2 min	0,2 mm
M	3 mm
Weight	0,018 Kg
Basic dynamic load rating (C)	64 kN
Category	Plain Bearings
Inventory	0.0
Manufacturer Name	SKF
Minimum Buy Quantity	N/A
Weight / Kilogram	0.407
EAN	7316571376172
Product Group	B04264
c <sub>1</sub> min.	0.1 mm
c <sub>1</sub> max.	0.7 mm
c <sub>2</sub> min.	0.2 mm
c <sub>2</sub> max.	1 mm
± 8	20 °
Tolerance shaft	h8

PCM 222525 M Bearing 2D drawings and 3D CAD models



## BEARING INDUSTRIA CUSCINETTI S.P.A.

Tolerance housing	H7
Basic dynamic load rating - radial direction C	64 kN
Basic static load rating - radial direction $C_0$	134 kN
Specific dynamic load factor K	120 N/mm <sup>2</sup>
Specific static load factor $K_0$	250 N/mm <sup>2</sup>
Factor depending on material and bearing type $K_M$	1900
Permissible sliding velocity v min.	0 m/s
Permissible sliding velocity v max.	2.5 m/s
Coefficient of friction $\mu$ min.	0.02
Coefficient of friction $\mu$ max.	0.2
Mass bushing	0.018 kg