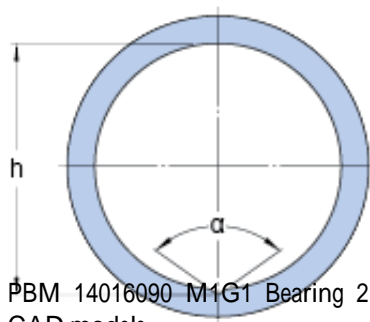
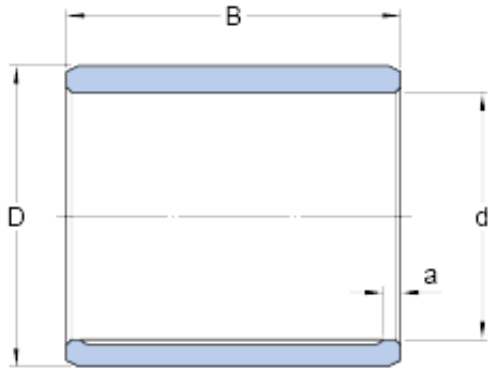




BEARING INDUSTRIA CUSCINETTI S.P.A.



PBM 14016090 M1G1 Bearing 2D drawings and 3D CAD models

140 mm x 160 mm x 90 mm skf PBM 14016090
M1G1 Plain bearings, Bushings

Bearing No. PBM 14016090 M1G1

d	140 mm
D	160 mm
B	90 mm
a	4.5 mm
h	142 mm
	124 °
Tolerance shaft	e7
Tolerance housing	H7
Specific dynamic load factor K	25 N/mm ²
Specific static load factor K ₀	45 N/mm ²
Permissible sliding velocity v min.	0 m/s
Permissible sliding velocity v max.	0.5 m/s
Coefficient of friction μ min.	0.08
Coefficient of friction μ max.	0.15
Mass bushing	3.85 kg