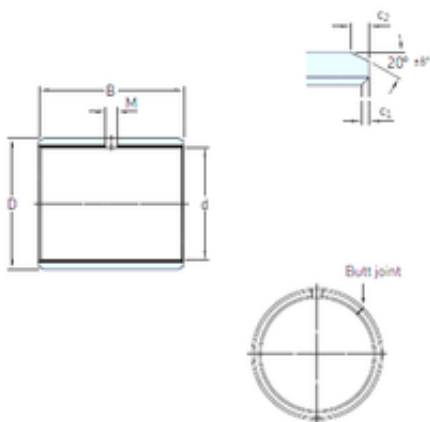




# BEARING INDUSTRIA CUSCINETTI S.P.A.



80 mm x 85 mm x 100 mm skf PCM 8085100 E  
Plain bearings, Bushings

Bearing No. PCM 8085100 E

Size	80x85x100 mm
Bore Diameter	80 mm
Outer Diameter	85 mm
Width	100 mm
d	80 mm
D	85 mm
B	100 mm
c1 min	0,2 mm
c2 min	1,2 mm
M	– mm
Weight	0,485 Kg
Basic dynamic load rating (C)	630 kN
Category	Plain Bearings
Inventory	0.0
Manufacturer Name	SKF
Minimum Buy Quantity	N/A
Weight / Kilogram	0.53
EAN	7316571902814
Product Group	B04264
c <sub>1</sub> min.	0.2 mm
c <sub>1</sub> max.	1 mm
c <sub>2</sub> min.	1.2 mm
c <sub>2</sub> max.	2.4 mm
± 8	20 °
Tolerance shaft	h8

PCM 8085100 E Bearing 2D drawings and 3D CAD models



## BEARING INDUSTRIA CUSCINETTI S.P.A.

Tolerance housing	H7
Basic dynamic load rating - radial direction C	630 kN
Basic static load rating - radial direction $C_0$	1960 kN
Specific dynamic load factor K	80 N/mm <sup>2</sup>
Specific static load factor $K_0$	250 N/mm <sup>2</sup>
Factor depending on material and bearing type $K_M$	480
Permissible sliding velocity v min.	0 m/s
Permissible sliding velocity v max.	2 m/s
Coefficient of friction $\mu$ min.	0.03
Coefficient of friction $\mu$ max.	0.25
Mass bushing	0.49 kg