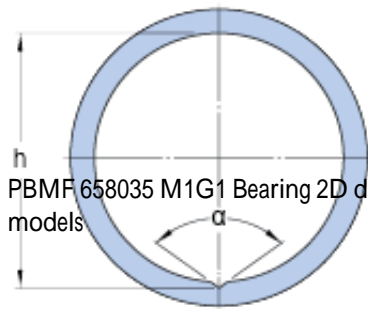
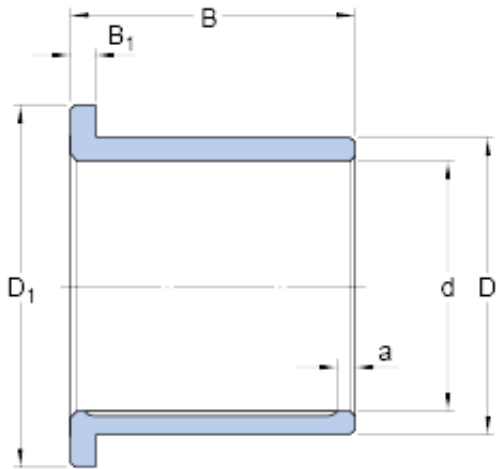




BEARING INDUSTRIA CUSCINETTI S.P.A.



PBMF 658035 M1G1 Bearing 2D drawings and 3D CAD models

65 mm x 80 mm x 35 mm skf PBMF 658035 M1G1 Plain bearings, Bushings

Bearing No. PBMF 658035 M1G1

| | |
|--|----------------------|
| d | 65 mm |
| D | 80 mm |
| B | 35 mm |
| D ₁ | 90 mm |
| B ₁ | 8 mm |
| a | 1.75 mm |
| h | 66.5 mm |
| | 124 ° |
| Tolerance shaft | e7 |
| Tolerance housing | H7 |
| Specific dynamic load factor K | 25 N/mm ² |
| Specific static load factor K ₀ | 45 N/mm ² |
| Permissible sliding velocity v min. | 0 m/s |
| Permissible sliding velocity v max. | 0.5 m/s |
| Coefficient of friction μ min. | 0.08 |
| Coefficient of friction μ max. | 0.15 |
| Mass bushing | 0.62 kg |