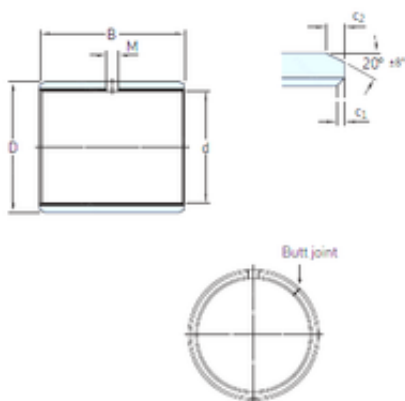




BEARING INDUSTRIA CUSCINETTI S.P.A.



3,175 mm x 4,763 mm x 4,763 mm skf PCZ 0203
E Plain bearings, Bushings

Bearing No. PCZ 0203 E

Size	3.175x4.763x4.763 mm
Bore Diameter	3,175 mm
Outer Diameter	4,763 mm
Width	4,763 mm
d	3,175 mm
D	4,763 mm
B	4,763 mm
c1 min	0,1 mm
c2 min	0,2 mm
M	– mm
Weight	0,00034 Kg
Basic dynamic load rating (C)	1,2 kN
c ₁ min.	0.1 mm
c ₁ max.	0.4 mm
c ₂ min.	0.2 mm
c ₂ max.	0.8 mm
± 8	20 °
Shaft diameter range min.	3.139 mm
Shaft diameter range max.	3.157 mm
Housing bore range min.	4.757 mm
Housing bore range max.	4.77 mm
Basic dynamic load rating - radial direction C	1.2 kN
Basic static load rating - radial direction C ₀	3.75 kN

PCZ 0203 E Bearing 2D drawings and 3D CAD models



BEARING INDUSTRIA CUSCINETTI S.P.A.

Specific dynamic load factor K	80 N/mm ²
Specific static load factor K ₀	250 N/mm ²
Factor depending on material and bearing type K _M	480
Permissible sliding velocity v min.	0 m/s
Permissible sliding velocity v max.	2 m/s
Coefficient of friction μ min.	0.03
Coefficient of friction μ max.	0.25
Mass bushing	0.00034 kg