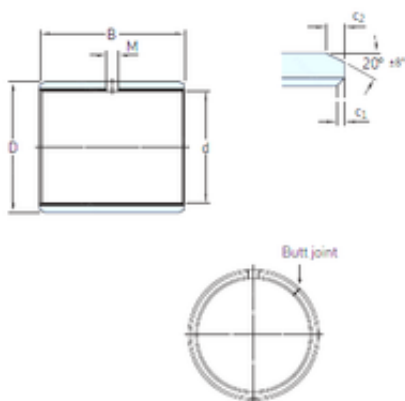




BEARING INDUSTRIA CUSCINETTI S.P.A.



15,875 mm x 18,256 mm x 22,225 mm skf PCZ
1014 M Plain bearings, Bushings

Bearing No. PCZ 1014 M

PCZ 1014 M Bearing 2D drawings and 3D CAD models

Size	15.875x18.256x22.225 mm
Bore Diameter	15,875 mm
Outer Diameter	18,256 mm
Width	22,225 mm
d	15,875 mm
D	18,256 mm
B	22,225 mm
c1 min	0,1 mm
c2 min	0,2 mm
M	3 mm
Weight	0,0085 Kg
Basic dynamic load rating (C)	42,5 kN
c ₁ min.	0.1 mm
c ₁ max.	0.6 mm
c ₂ min.	0.2 mm
c ₂ max.	1 mm
± 8	20 °
Shaft diameter range min.	15.585 mm
Shaft diameter range max.	15.611 mm
Housing bore range min.	18.255 mm
Housing bore range max.	18.275 mm
Basic dynamic load rating - radial direction C	42.5 kN
Basic static load rating - radial direction C ₀	88 kN



BEARING INDUSTRIA CUSCINETTI S.P.A.

Specific dynamic load factor K	120 N/mm ²
Specific static load factor K ₀	250 N/mm ²
Factor depending on material and bearing type K _M	1900
Permissible sliding velocity v min.	0 m/s
Permissible sliding velocity v max.	2.5 m/s
Coefficient of friction μ min.	0.02
Coefficient of friction μ max.	0.2
Mass bushing	0.0085 kg