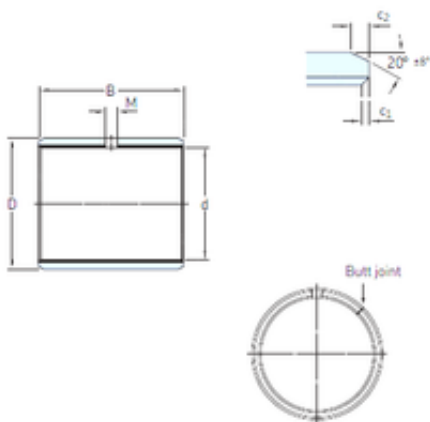




# BEARING INDUSTRIA CUSCINETTI S.P.A.



80 mm x 85 mm x 40 mm skf PCM 808540 M  
Plain bearings, Bushings

Bearing No. PCM 808540 M

Size	80x85x40 mm
Bore Diameter	80 mm
Outer Diameter	85 mm
Width	40 mm
d	80 mm
D	85 mm
B	40 mm
c1 min	0,2 mm
c2 min	1,2 mm
M	6 mm
Weight	0,18 Kg
Basic dynamic load rating (C)	375 kN
Category	Plain Bearings
Inventory	0.0
Manufacturer Name	SKF
Minimum Buy Quantity	N/A
Weight / Kilogram	0.203
EAN	7316571347738
Product Group	B04264
bushing type:	Plain
bushing material:	POM
inside diameter:	80 mm
overall outside diameter:	85 mm
bushing outside diameter:	85 mm
groove type:	Plain Interior

PCM 808540 M Bearing 2D drawings and 3D CAD models



## BEARING INDUSTRIA CUSCINETTI S.P.A.

overall length:	40 mm
ground type:	Ground
c <sub>1</sub> min.	0.2 mm
c <sub>1</sub> max.	1 mm
c <sub>2</sub> min.	1.2 mm
c <sub>2</sub> max.	2.4 mm
± 8	20 °
Tolerance shaft	h8
Tolerance housing	H7
Basic dynamic load rating - radial direction C	375 kN
Basic static load rating - radial direction C <sub>0</sub>	780 kN
Specific dynamic load factor K	120 N/mm <sup>2</sup>
Specific static load factor K <sub>0</sub>	250 N/mm <sup>2</sup>
Factor depending on material and bearing type K <sub>M</sub>	1900
Permissible sliding velocity v min.	0 m/s
Permissible sliding velocity v max.	2.5 m/s
Coefficient of friction μ min.	0.02
Coefficient of friction μ max.	0.2
Mass bushing	0.18 kg