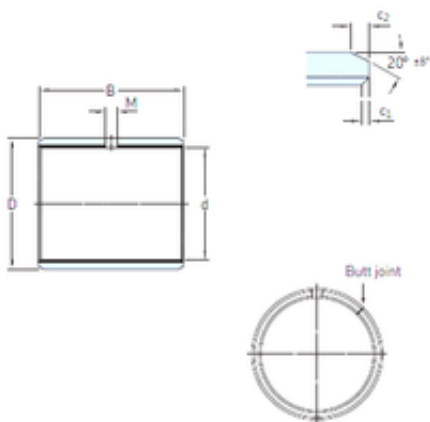




BEARING INDUSTRIA CUSCINETTI S.P.A.

13 mm x 15 mm x 20 mm skf PCM 131520 E
Plain bearings, Bushings



Bearing No. PCM 131520 E

Size	13x15x20 mm
Bore Diameter	13 mm
Outer Diameter	15 mm
Width	20 mm
d	13 mm
D	15 mm
B	20 mm
c1 min	0,1 mm
c2 min	0,2 mm
M	– mm
Weight	0,0063 Kg
Basic dynamic load rating (C)	20,8 kN
c ₁ min.	0.1 mm
c ₁ max.	0.6 mm
c ₂ min.	0.2 mm
c ₂ max.	1 mm
± 8	20 °
Tolerance shaft	f7
Tolerance housing	H7
Basic dynamic load rating - radial direction C	20.8 kN
Basic static load rating - radial direction C ₀	65.5 kN
Specific dynamic load factor K	80 N/mm ²
Specific static load factor K ₀	250 N/mm ²

PCM 131520 E Bearing 2D drawings and 3D CAD models



BEARING INDUSTRIA CUSCINETTI S.P.A.

Factor depending on material and bearing type K_M	480
Permissible sliding velocity v min.	0 m/s
Permissible sliding velocity v max.	2 m/s
Coefficient of friction μ min.	0.03
Coefficient of friction μ max.	0.25
Mass bushing	0.0063 kg