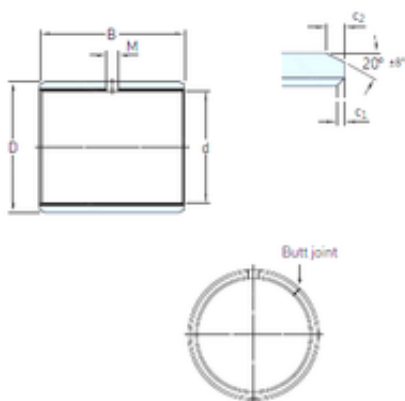




# BEARING INDUSTRIA CUSCINETTI S.P.A.



14,288 mm x 16,669 mm x 12,7 mm skf PCZ  
0908 E Plain bearings, Bushings

Bearing No. PCZ 0908 E

Size	14.288x16.669x12.7 mm
Bore Diameter	14,288 mm
Outer Diameter	16,669 mm
Width	12,7 mm
d	14,288 mm
D	16,669 mm
B	12,7 mm
c1 min	0,1 mm
c2 min	0,2 mm
M	– mm
Weight	0,0054 Kg
Basic dynamic load rating (C)	14,6 kN
Category	Bearings
Inventory	0.0
Manufacturer Name	SKF
Minimum Buy Quantity	N/A
Weight / Kilogram	0
Product Group	B04264
c <sub>1</sub> min.	0.1 mm
c <sub>1</sub> max.	0.6 mm
c <sub>2</sub> min.	0.2 mm
c <sub>2</sub> max.	1 mm
± 8	20 °
Shaft diameter range min.	14.237 mm
Shaft diameter range max.	14.262 mm

PCZ 0908 E Bearing 2D drawings and 3D CAD models



## BEARING INDUSTRIA CUSCINETTI S.P.A.

Housing bore range min.	16.66 mm
Housing bore range max.	16.678 mm
Basic dynamic load rating - radial direction C	14.6 kN
Basic static load rating - radial direction C <sub>0</sub>	45.5 kN
Specific dynamic load factor K	80 N/mm <sup>2</sup>
Specific static load factor K <sub>0</sub>	250 N/mm <sup>2</sup>
Factor depending on material and bearing type K <sub>M</sub>	480
Permissible sliding velocity v min.	0 m/s
Permissible sliding velocity v max.	2 m/s
Coefficient of friction μ min.	0.03
Coefficient of friction μ max.	0.25
Mass bushing	0.0054 kg