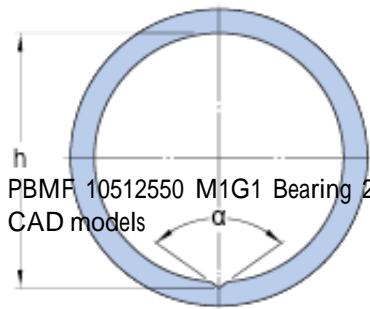
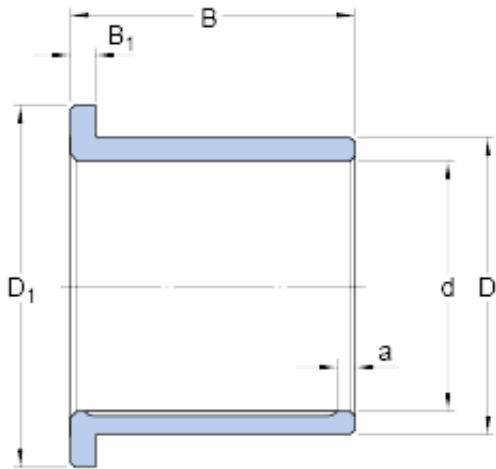




BEARING INDUSTRIA CUSCINETTI S.P.A.



PBMF 10512550 M1G1 Bearing 2D drawings and 3D CAD models

105 mm x 125 mm x 50 mm skf PBMF 10512550
M1G1 Plain bearings, Bushings

Bearing No. PBMF 10512550 M1G1

d	105 mm
D	125 mm
B	50 mm
D ₁	135 mm
B ₁	8 mm
a	2.5 mm
h	106.5 mm
	124 °
Tolerance shaft	e7
Tolerance housing	H7
Specific dynamic load factor K	25 N/mm ²
Specific static load factor K ₀	45 N/mm ²
Permissible sliding velocity v min.	0 m/s
Permissible sliding velocity v max.	0.5 m/s
Coefficient of friction μ min.	0.08
Coefficient of friction μ max.	0.15
Mass bushing	1.6 kg