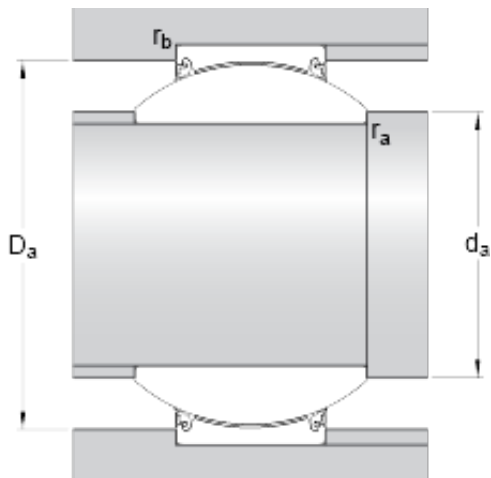




## BEARING INDUSTRIA CUSCINETTI S.P.A.



GEH 45 TXE-2LS Bearing 2D drawings and 3D CAD models

### 45 mm x 75 mm x 43 mm skf GEH 45 TXE-2LS Radial spherical plain bearings

Bearing No. GEH 45 TXE-2LS

Lubricant	Maintenance free – dry lubrication
Design (sliding contact surface combination)	Steel/PTFE fabric
Sealing solution	Triple-lip seals
d	45 mm
D	75 mm
B	43 mm
C	28 mm
	14 °
d <sub>k</sub>	66 mm
r <sub>1</sub> min.	0.6 mm
r <sub>2</sub> min.	1 mm
d <sub>a</sub> min.	50 mm
d <sub>a</sub> max.	50 mm
D <sub>a</sub> min.	66.5 mm
D <sub>a</sub> max.	70.5 mm
r <sub>a</sub> max.	0.6 mm
r <sub>b</sub> max.	1 mm
Basic dynamic load rating C	440 kN
Basic static load rating C <sub>0</sub>	735 kN
Specific dynamic load factor K	300 N/mm <sup>2</sup>
Specific static load factor K <sub>0</sub>	500 N/mm <sup>2</sup>
Mass plain bearing	0.69 kg