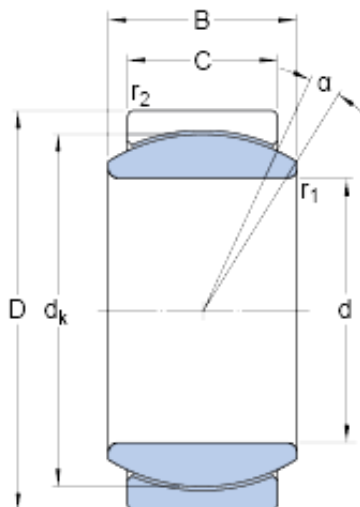




## BEARING INDUSTRIA CUSCINETTI S.P.A.



GE 8 C Bearing 2D drawings and 3D CAD models

8 mm x 16 mm x 8 mm skf GE 8 C Radial spherical plain bearings

Bearing No. GE 8 C

Size	16x8x8 mm
Bore Diameter	16 mm
Outer Diameter	8 mm
Width	8 mm
d	8 mm
D	16 mm
B	8 mm
C	5 mm
	15 °
d <sub>k</sub>	13 mm
r <sub>1</sub> - min.	0.3 mm
r <sub>2</sub> - min.	0.3 mm
d <sub>a</sub> - min.	9.4 mm
d <sub>a</sub> - max.	10.2 mm
D <sub>a</sub> - min.	12.3 mm
D <sub>a</sub> - max.	14.6 mm
r <sub>a</sub> - max.	0.3 mm
r <sub>b</sub> - max.	0.3 mm
Basic dynamic load rating - C	5.8 kN
Basic static load rating - C <sub>0</sub>	14.6 kN
Specific factor dynamic load - K	100 N/mm <sup>2</sup>
Specific factor static load - K <sub>0</sub>	250 N/mm <sup>2</sup>
Constant - K <sub>M</sub>	1400



## BEARING INDUSTRIA CUSCINETTI S.P.A.

Category	Spherical Plain Bearings - Radial
Inventory	0.0
Manufacturer Name	SKF
Minimum Buy Quantity	N/A
Weight / Kilogram	0.01
EAN	7316576609152
Product Group	B04286
Self Aligning	Yes
Rolling Element	Spherical Plain
Material - Outer Member	Steel
Material - Ball	Steel
Material - Liner	Teflon Sintered Bronze
Relubricatable	No
Enclosure	Open
Other Features	2 Piece   Maintenance Free   Chrome Plated Ball   Self Lubricating
Long Description	8MM Bore; 5MM Housing Width; 16MM Outside Diameter; Spherical Plain; Steel Outer Member; Steel Ball; Teflon Sintered Bronze Liner; 8MM Overall Width; Not Relubricatable
Inch - Metric	Metric
Category	Plain Bearings Spherical Radial
UNSPSC	31171515
Harmonized Tariff Code	8483.30.80.70
Noun	Bearing
Keyword 3	Spherical
Keyword String	Plain Spherical Radial
Manufacturer URL	<a href="http://www.skf.com">http://www.skf.com</a>
Manufacturer Item Number	GE 8 C



## BEARING INDUSTRIA CUSCINETTI S.P.A.

Weight / LBS	0.018
Outside Diameter	0.63 Inch   16 Millimeter
Bore	0.315 Inch   8 Millimeter
Housing Width	0.197 Inch   5 Millimeter
Overall Width	0.315 Inch   8 Millimeter
bore diameter:	8 mm
inner ring material:	Steel
outside diameter:	16 mm
outer ring width:	5 mm
misalignment angle:	15 °
race material:	PTFE Composite
inner ring width:	8 mm
radial static load capacity:	14.6 kN
bearing type:	Radial
radial dynamic load capacity:	5.85 kN
lubrication type:	Maintenance Free/Self-Lubricating
operating temperature range:	-50 to +150 ° C ° F
closure type:	Open
overall width:	8 mm
outer ring material:	Steel
manufacturer upc number:	7316576609152
Lubricant	Maintenance free – dry lubrication
Design (sliding contact surface combination)	Steel/PTFE sintered bronze
Sealing solution	-
	15 °
$d_k$	13 mm
$r_1$ min.	0.3 mm
$r_2$ min.	0.3 mm
$d_a$ min.	9.4 mm



## BEARING INDUSTRIA CUSCINETTI S.P.A.

$d_a$ max.	10.2 mm
$D_a$ min.	12.3 mm
$D_a$ max.	14.6 mm
$r_a$ max.	0.3 mm
$r_b$ max.	0.3 mm
Basic dynamic load rating C	5.85 kN
Basic static load rating $C_0$	14.6 kN
Specific dynamic load factor K	100 N/mm <sup>2</sup>
Specific static load factor $K_0$	250 N/mm <sup>2</sup>
Material constant $K_M$	1400
Mass plain bearing	0.008 kg