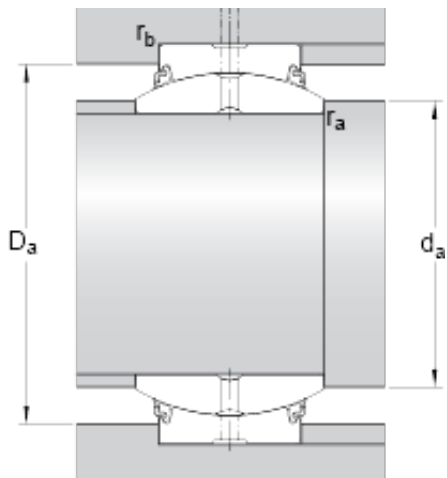




# BEARING INDUSTRIA CUSCINETTI S.P.A.



240 mm x 340 mm x 140 mm skf GE 240 ES-2LS  
Radial spherical plain bearings

Bearing No. GE 240 ES-2LS

GE 240 ES-2LS Bearing 2D drawings and 3D CAD models

Lubricant	Regular relubrication – grease
Design (sliding contact surface combination)	Steel/steel
Sealing solution	Triple-lip seals
d	240 mm
D	340 mm
B	140 mm
C	100 mm
	8 °
d <sub>k</sub>	300 mm
b	15.5 mm
b <sub>1</sub>	15.5 mm
M	7 mm
r <sub>1</sub> min.	1.1 mm
r <sub>2</sub> min.	1.1 mm
d <sub>a</sub> min.	252.5 mm
d <sub>a</sub> max.	265 mm
D <sub>a</sub> min.	298 mm
D <sub>a</sub> max.	329.5 mm
r <sub>a</sub> max.	1 mm
r <sub>b</sub> max.	1 mm
Basic dynamic load rating C	2550 kN
Basic static load rating C <sub>0</sub>	12700 kN
Specific dynamic load factor K	100 N/mm <sup>2</sup>



## BEARING INDUSTRIA CUSCINETTI S.P.A.

Specific static load factor $K_0$	500 N/mm <sup>2</sup>
Material constant $K_M$	330
Mass plain bearing	40 kg