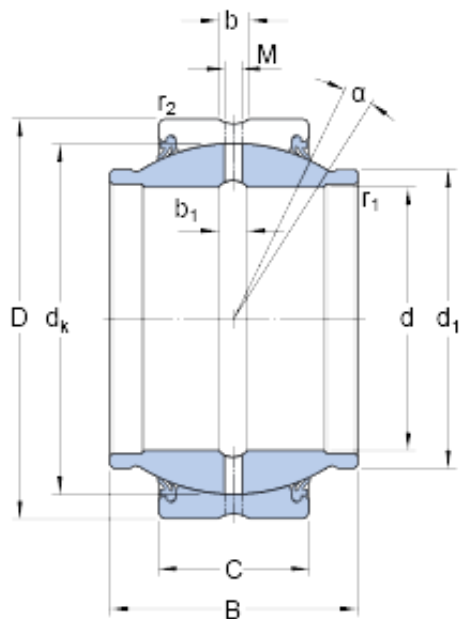




BEARING INDUSTRIA CUSCINETTI S.P.A.

114.3 mm x 177.8 mm x 171.45 mm skf GEZM 408 ES-2RS Radial spherical plain bearings

Bearing No. GEZM 408 ES-2RS



GEZM 408 ES-2RS Bearing 2D drawings and 3D CAD models

Size	177.8x114.3x171.45 mm
Bore Diameter	177,8 mm
Outer Diameter	114,3 mm
Width	171,45 mm
d	114.3 mm
D	177.8 mm
B	171.45 mm
C	85.725 mm
	5 °
d _k	164.465 mm
d ₁	140.335 mm
b	11 mm
b ₁	10 mm
M	8 mm
r ₁ - min.	2 mm
r ₂ - min.	1.1 mm
d _a - min.	125.5 mm
d _a - max.	140.3 mm
D _a - min.	157 mm
D _a - max.	171 mm
r _a - max.	2 mm
r _b - max.	1.1 mm
Basic dynamic load rating - C	1120 kN
Basic static load rating - C ₀	3400 kN



BEARING INDUSTRIA CUSCINETTI S.P.A.

Specific factor dynamic load - K	100 N/mm ²
Specific factor static load - K ₀	300 N/mm ²
Constant - K _M	330
Lubricant	Regular relubrication – grease
Design (sliding contact surface combination)	Steel/steel
Sealing solution	Double-lip seals
	5 °
d _k	164.465 mm
d ₁	140.335 mm
b ₁	10 mm
r ₁ min.	2 mm
r ₂ min.	1.1 mm
d _a min.	125.5 mm
d _a max.	140.3 mm
D _a min.	157 mm
D _a max.	171 mm
r _a max.	2 mm
r _b max.	1.1 mm
Basic dynamic load rating C	1120 kN
Basic static load rating C ₀	3400 kN
Specific dynamic load factor K	100 N/mm ²
Specific static load factor K ₀	300 N/mm ²
Material constant K _M	330
Mass plain bearing	13 kg