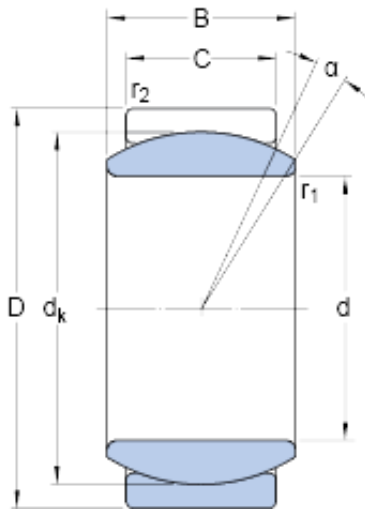




# BEARING INDUSTRIA CUSCINETTI S.P.A.



GE 6 E Bearing 2D drawings and 3D CAD models

6 mm x 14 mm x 6 mm skf GE 6 E Radial spherical plain bearings

Bearing No. GE 6 E

|  |                       |
|--|-----------------------|
| Size   | 14x6x6 mm             |
| Bore Diameter                                | 14 mm                 |
| Outer Diameter                               | 6 mm                  |
| Width  | 6 mm                  |
| d  | 6 mm                  |
| D  | 14 mm                 |
| B  | 6 mm                  |
| C  | 4 mm                  |
|  | 13 °                  |
| dk   | 10 mm                 |
| r <sub>1</sub> - min.                        | 0.3 mm                |
| r <sub>2</sub> - min.                        | 0.3 mm                |
| d <sub>a</sub> - min.                        | 7.5 mm                |
| d <sub>a</sub> - max.                        | 8 mm                  |
| D <sub>a</sub> - min.                        | 9.5 mm                |
| D <sub>a</sub> - max.                        | 12.6 mm               |
| r <sub>a</sub> - max.                        | 0.3 mm                |
| r <sub>b</sub> - max.                        | 0.3 mm                |
| Basic dynamic load rating - C                | 3.4 kN                |
| Basic static load rating - C <sub>0</sub>    | 17 kN                 |
| Specific factor dynamic load - K             | 100 N/mm <sup>2</sup> |
| Specific factor static load - K <sub>0</sub> | 500 N/mm <sup>2</sup> |
| Constant - K <sub>M</sub>                    | 330                   |



## BEARING INDUSTRIA CUSCINETTI S.P.A.

|                          |  |
|--------------------------|--|
| Category                 | Spherical Plain Bearings - Radial  |
| Inventory                | 0.0  |
| Manufacturer Name        | SKF  |
| Minimum Buy Quantity     | N/A  |
| Weight / Kilogram        | 0.01   |
| EAN                      | 7316577002303  |
| Product Group            | B04264   |
| Self Aligning            | Yes  |
| Rolling Element          | Spherical Plain  |
| Material - Outer Member  | Steel  |
| Material - Ball          | Steel  |
| Material - Liner         | Not Applicable   |
| Relubricatable           | Yes  |
| Enclosure                | Open   |
| Other Features           | 2 Piece   Side Lubrication Only  |
| Long Description         | 6MM Bore; 4MM Housing Width; 14MM Outside Diameter; Spherical Plain; Steel Outer Member; Steel Ball; No Liner; 6MM Overall Width; Relubricatable |
| Inch - Metric            | Metric   |
| Category                 | Plain Bearings Spherical Radial  |
| UNSPSC                   | 31171515   |
| Harmonized Tariff Code   | 8483.30.80.70  |
| Noun                     | Bearing  |
| Keyword 3                | Spherical  |
| Keyword String           | Plain Spherical Radial   |
| Manufacturer URL         | <a href="http://www.skf.com">http://www.skf.com</a>  |
| Manufacturer Item Number | GE 6 E   |
| Weight / LBS             | 0.009  |



## BEARING INDUSTRIA CUSCINETTI S.P.A.

|  |                                |
|--|--------------------------------|
| Housing Width                                | 0.157 Inch   4 Millimeter      |
| Bore   | 0.236 Inch   6 Millimeter      |
| Outside Diameter                             | 0.551 Inch   14 Millimeter     |
| Overall Width                                | 0.236 Inch   6 Millimeter      |
| bore diameter:                               | 6 mm                           |
| inner ring material:                         | Chrome Steel                   |
| outside diameter:                            | 14 mm                          |
| outer ring width:                            | 4 mm                           |
| misalignment angle:                          | 13 °                           |
| radial static load capacity:                 | 17 kN                          |
| inner ring width:                            | 6 mm                           |
| radial dynamic load capacity:                | 3.4 kN                         |
| bearing type:                                | Radial                         |
| operating temperature range:                 | -50 to +200 ° C ° F            |
| lubrication type:                            | Requires Lubrication           |
| overall width:                               | 6 mm                           |
| closure type:                                | Open                           |
| manufacturer upc number:                     | 7316577002303                  |
| outer ring material:                         | Chrome Steel                   |
| Lubricant                                    | Regular relubrication – grease |
| Design (sliding contact surface combination) | Steel/steel                    |
| Sealing solution                             | -                              |
|  | 13 °                           |
| $d_k$  | 10 mm                          |
| $r_1$ min.                                   | 0.3 mm                         |
| $r_2$ min.                                   | 0.3 mm                         |
| $d_a$ min.                                   | 7.5 mm                         |
| $d_a$ max.                                   | 8 mm                           |
| $D_a$ min.                                   | 9.5 mm                         |
|  |                                |



## BEARING INDUSTRIA CUSCINETTI S.P.A.

|                                   |                       |
|-----------------------------------|-----------------------|
| $D_a$ max.                        | 12.6 mm               |
| $r_a$ max.                        | 0.3 mm                |
| $r_b$ max.                        | 0.3 mm                |
| Basic dynamic load rating C       | 3.4 kN                |
| Basic static load rating $C_0$    | 17 kN                 |
| Specific dynamic load factor K    | 100 N/mm <sup>2</sup> |
| Specific static load factor $K_0$ | 500 N/mm <sup>2</sup> |
| Material constant $K_M$           | 330                   |
| Mass plain bearing                | 0.004 kg              |