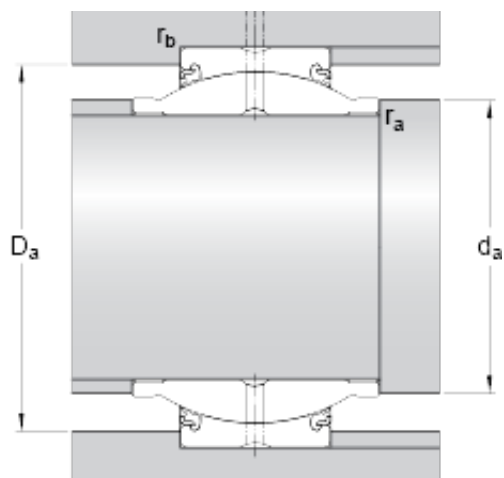




# BEARING INDUSTRIA CUSCINETTI S.P.A.



63.5 mm x 100.013 mm x 95.25 mm skf GEZM 208 ESX-2LS Radial spherical plain bearings

Bearing No. GEZM 208 ESX-2LS

GEZM 208 ESX-2LS Bearing 2D drawings and 3D CAD models

Lubricant	Maintenance free – greased for life
Design (sliding contact surface combination)	Steel/steel
Sealing solution	Triple-lip seals
d	63.5 mm
D	100.013 mm
B	95.25 mm
C	47.625 mm
	5 °
d <sub>k</sub>	91.186 mm
d <sub>1</sub>	77.724 mm
b	9 mm
b <sub>1</sub>	8 mm
M	6.5 mm
r <sub>1</sub> min.	1 mm
r <sub>2</sub> min.	1 mm
d <sub>a</sub> min.	69.6 mm
d <sub>a</sub> max.	77.7 mm
D <sub>a</sub> min.	87 mm
D <sub>a</sub> max.	94.7 mm
r <sub>a</sub> max.	1 mm
r <sub>b</sub> max.	1 mm
Basic dynamic load rating C	520 kN
Basic static load rating C <sub>0</sub>	1040 kN
Specific dynamic load factor	150 N/mm <sup>2</sup>



## BEARING INDUSTRIA CUSCINETTI S.P.A.

K	
Specific static load factor $K_0$	300 N/mm <sup>2</sup>
Material constant $K_M$	330
Mass plain bearing	2.25 kg