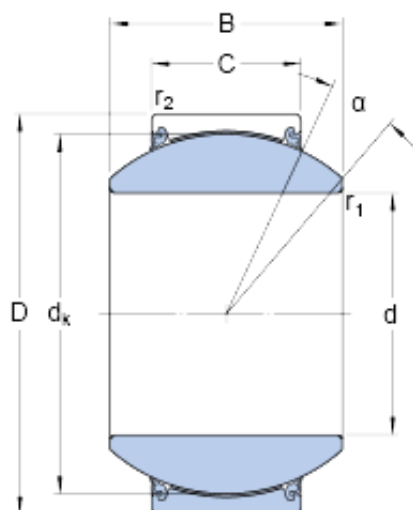




## BEARING INDUSTRIA CUSCINETTI S.P.A.



GEH 35 TXG3E-2LS Bearing 2D drawings and 3D CAD models

### 35 mm x 62 mm x 35 mm skf GEH 35 TXG3E-2LS Radial spherical plain bearings

Bearing No. GEH 35 TXG3E-2LS

Size	62x35x35 mm
Bore Diameter	62 mm
Outer Diameter	35 mm
Width	35 mm
d	35 mm
D	62 mm
B	35 mm
C	22 mm
	15 °
d <sub>k</sub>	53 mm
r <sub>1</sub> - min.	0.6 mm
r <sub>2</sub> - min.	1 mm
d <sub>a</sub> - min.	39 mm
d <sub>a</sub> - max.	39.7 mm
D <sub>a</sub> - min.	54.5 mm
D <sub>a</sub> - max.	57.5 mm
r <sub>a</sub> - max.	0.6 mm
r <sub>b</sub> - max.	1 mm
Basic dynamic load rating - C	280 kN
Basic static load rating - C <sub>0</sub>	465 kN
Specific factor dynamic load - K	300 N/mm <sup>2</sup>
Specific factor static load - K <sub>0</sub>	500 N/mm <sup>2</sup>
Lubricant	Maintenance free – dry



## BEARING INDUSTRIA CUSCINETTI S.P.A.

	Lubrication
Design (sliding contact surface combination)	Steel/PTFE fabric
Sealing solution	Triple-lip seals
	15 °
$d_k$	53 mm
$r_1$ min.	0.6 mm
$r_2$ min.	1 mm
$d_a$ min.	39 mm
$d_a$ max.	39.7 mm
$D_a$ min.	54.5 mm
$D_a$ max.	57.5 mm
$r_a$ max.	0.6 mm
$r_b$ max.	1 mm
Basic dynamic load rating C	280 kN
Basic static load rating $C_0$	465 kN
Specific dynamic load factor K	300 N/mm <sup>2</sup>
Specific static load factor $K_0$	500 N/mm <sup>2</sup>
Mass plain bearing	0.39 kg