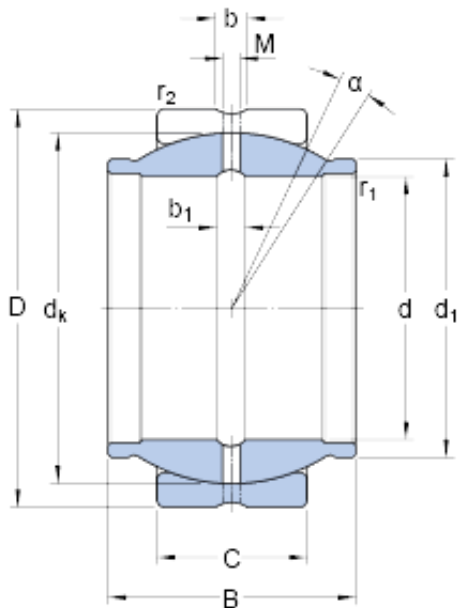




BEARING INDUSTRIA CUSCINETTI S.P.A.

127 mm x 196.85 mm x 190.5 mm skf GEZM
500 ES Radial spherical plain bearings

Bearing No. GEZM 500 ES



GEZM 500 ES Bearing 2D drawings and 3D CAD models

| | |
|---|---------------------|
| Size | 127x196.85x190.5 mm |
| Bore Diameter | 127 mm |
| Outer Diameter | 196,85 mm |
| Width | 190,5 mm |
| d | 127 mm |
| D | 196.85 mm |
| B | 190.5 mm |
| C | 95.25 mm |
| | 7 ° |
| d _k | 182.626 mm |
| d ₁ | 155.702 mm |
| b | 11 mm |
| b ₁ | 10 mm |
| M | 8 mm |
| r ₁ - min. | 2 mm |
| r ₂ - min. | 1.1 mm |
| d _a - min. | 138.5 mm |
| d _a - max. | 155.7 mm |
| D _a - min. | 173.5 mm |
| D _a - max. | 188.5 mm |
| r _a - max. | 2 mm |
| r _b - max. | 1.1 mm |
| Basic dynamic load rating - C | 1400 kN |
| Basic static load rating - C ₀ | 4150 kN |
| | |



BEARING INDUSTRIA CUSCINETTI S.P.A.

| | |
|--|-----------------------|
| Specific factor dinamic load - K | 100 N/mm ² |
| Specific factor static load - K ₀ | 300 N/mm ² |
| Constant - K _M | 330 |
| Size | 196.85x127x190.5 mm |
| Bore Diameter | 196,85 mm |
| Outer Diameter | 127 mm |
| Width | 190,5 mm |
| d | 127 mm |
| D | 196.85 mm |
| B | 190.5 mm |
| C | 95.25 mm |
| | 7 ° |
| d _k | 182.626 mm |
| d ₁ | 155.702 mm |
| b | 11 mm |
| b ₁ | 10 mm |
| M | 8 mm |
| r ₁ - min. | 2 mm |
| r ₂ - min. | 1.1 mm |
| d _a - min. | 138.5 mm |
| d _a - max. | 155.7 mm |
| D _a - min. | 173.5 mm |
| D _a - max. | 188.5 mm |
| r _a - max. | 2 mm |
| r _b - max. | 1.1 mm |
| Basic dynamic load rating - C | 1400 kN |
| Basic static load rating - C ₀ | 4150 kN |
| Specific factor dinamic load - K | 100 N/mm ² |
| | |



BEARING INDUSTRIA CUSCINETTI S.P.A.

| | |
|--|--------------------------------|
| Specific factor static load - K_0 | 300 N/mm ² |
| Constant - K_M | 330 |
| Lubricant | Regular relubrication – grease |
| Design (sliding contact surface combination) | Steel/steel |
| Sealing solution | - |
| | 7 ° |
| d_k | 182.626 mm |
| d_1 | 155.702 mm |
| b_1 | 10 mm |
| r_1 min. | 2 mm |
| r_2 min. | 1.1 mm |
| d_a min. | 138.5 mm |
| d_a max. | 155.7 mm |
| D_a min. | 173.5 mm |
| D_a max. | 188.5 mm |
| r_a max. | 2 mm |
| r_b max. | 1.1 mm |
| Basic dynamic load rating C | 1400 kN |
| Basic static load rating C_0 | 4150 kN |
| Specific dynamic load factor K | 100 N/mm ² |
| Specific static load factor K_0 | 300 N/mm ² |
| Material constant K_M | 330 |
| Mass plain bearing | 17.5 kg |